

SABRE[®]

PARTS LIST

S2045

(UT20686)

S3045

(UT15138)

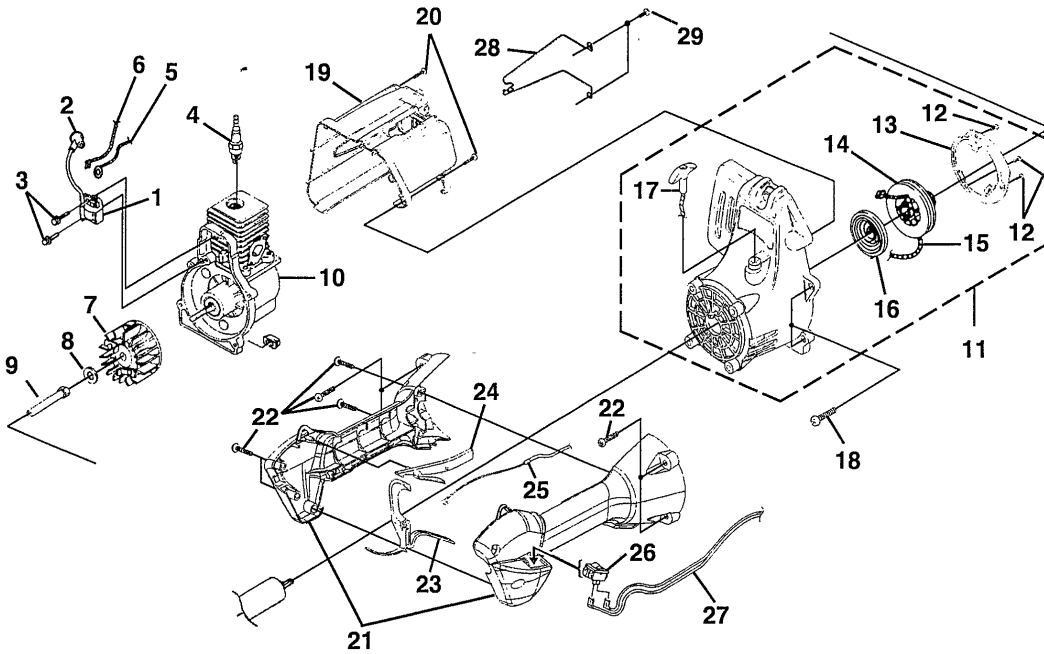
**STRING TRIMMER/
BRUSHCUTTER**

PART NO. PS00192

Printed in U.S.A.

Non-Clutch Models
 S2045 (UT20686)

IGNITION - ROTOR - STARTER

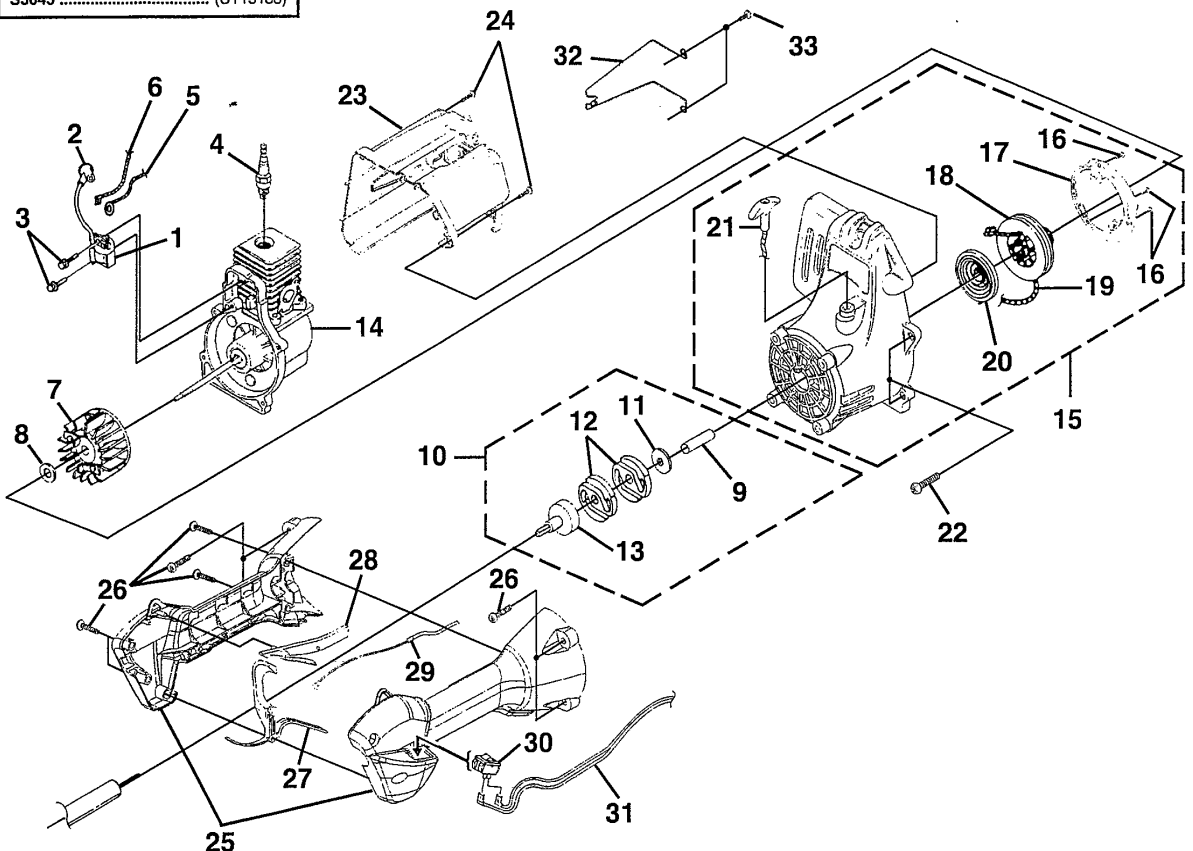


No.	Part No.	Description	Qty.
1	94711 CS	MODULE-Ignition	1
2	A 33055	TERMINAL & COVER	1
3	82540	SCREW-Taptite (8-32 X 1")	2
4	79252	SPARK PLUG - Resistor	1
5	A 06964	LEAD-Ground	1
6	A 06963	LEAD-Electrical	1
7	A 04158 S	ROTOR KIT	1
8	95479 A	WASHER-Flat	1
9	98795 A	CONNECTOR-Drive	1
10	UP 00017	SHORT BLOCK (Ref. Pg. 3, Item 1)	1
11	UP 00132	COMPLETE STARTER ASSEMBLY	1
12	82546	SCREW-Taptite (8-16 X 1/2")	3
13	09221	BAFFLE-Air	1
14	98770 A	PULLEY-Starter	1
15	97899 02	ROPE-Starter (42")	1
16	A 98773 A	SPRING & CONTAINER	1
17	06598	GRIP-Starter	1
18	82538	SCREW-Taptite (10-24 X 3/4")	4
19	UP 00023	HOUSING-Rear Kit	1
20	82537	SCREW-Taptite (10-14 X 7/8")	2
21	UP 00024	CONTROL HANDLE ASSY.	1
22	82537	SCREW-Taptite (10-14 X 7/8")	8
23	09219	TRIGGER-Throttle	1
24	09220	INTERLOCK-Throttle	1
25	09285	CABLE-Throttle	1
26	09375	SWITCH	1
27	A 09367	LEAD-Electrical	1
28	PS 00218	GUARD-Muffler	1
29	82541	SCREW-Thread Forming (10-14 X 1/2")	2

Item No.	Torque Specs		Required Loctite
	In/Lbs	Nm	
3	30-40	3.4-4.5	Blue 242
4	120-180	13.6-20.3	
9	100-150	11.3-16.9	
12	10-20	1.1-2.3	
18	30-40	3.4-4.5	
22	30-50	3.4-5.6	
29	5-20	.6-2.3	

Clutch Models
 S3045 (UT15138)

IGNITION - ROTOR - STARTER - CLUTCH



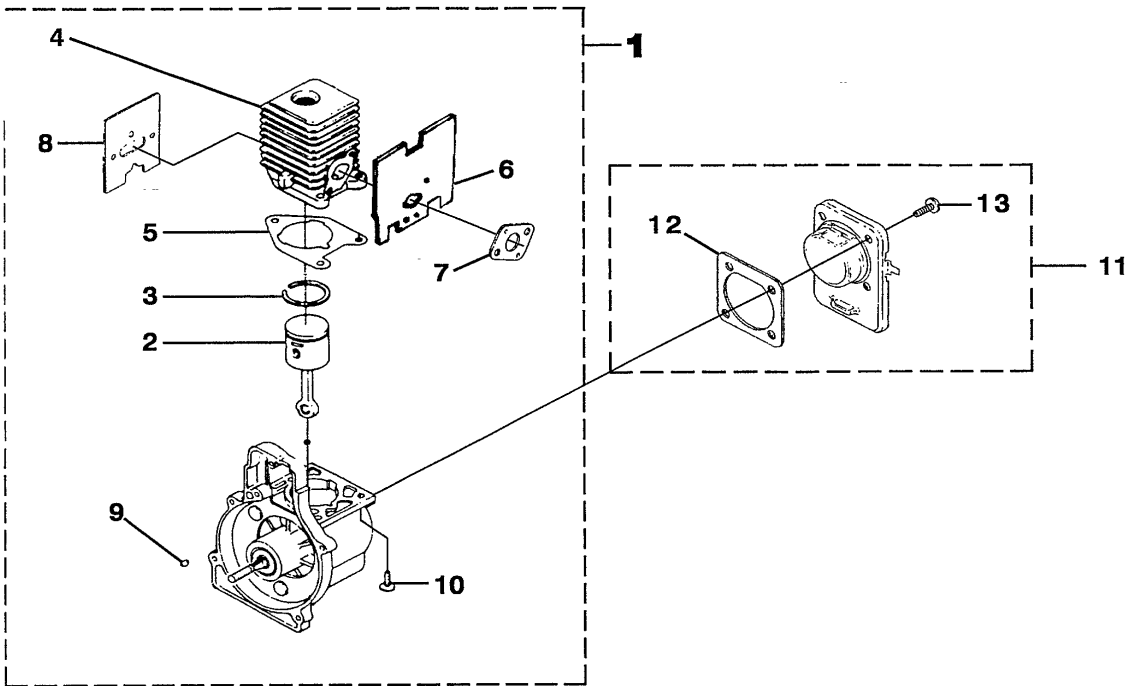
No.	Part No.	Description	Qty.
1	94711 CS	MODULE-Ignition	1
2	A 33055	TERMINAL & COVER	1
3	82540	SCREW-Taptite (8-32 X 1")	2
4	79252	SPARK PLUG	1
5	A 06964	LEAD-Ground	1
6	A 06963	LEAD-Electrical	1
7	A 04158 S	ROTOR KIT	1
8	95479 A	WASHER-Flat	1
9	03566 2A	SPACER	1
10	UP 00034	CLUTCH AND DRUM KIT (Also Incl. #9)	1
11	98929 A	WASHER-Flat	1
12	00242	CLUTCH	2
13	A 00585 1	CONNECTOR & DRUM	1
14	UP 00017	SHORT BLOCK (Ref. Pg. 4, Item 1)	1
15	UP 00132	COMPLETE STARTER ASSEMBLY	1
16	82546	SCREW-Taptite (8-16 X 1/2")	3
17	09221	BAFFLE-Air	1
18	98770 A	PULLEY-Starter	1
19	97899 02	ROPE-Starter (42")	1
20	A 98773 A	SPRING & CONTAINER	1
21	06598	GRIP-Starter	1
22	82538	SCREW-Taptite (10-24 X 3/4")	4
23	UP00023	HOUSING-Rear Kit	1
24	82537	SCREW-Taptite (10-14 X 7/8")	2
25	UP 00024	CONTROL HANDLE ASSY.	1
26	82537	SCREW-Taptite (10-14 X 7/8")	8
27	09219	TRIGGER-Throttle	1
28	09220	INTERLOCK-Throttle	1
29	09285	CABLE-Throttle	1
30	09375	SWITCH	1
31	A 09367	LEAD-Electrical	1
32	PS 00218	GUARD-Muffler	1
33	82541	SCREW-Thread Forming (10-14 X 1/2")	2

Item No.	Torque Specs		Required Loctite
	In/Lbs	Nm	
3	30-40	3.4-4.5	Blue 242
4	120-180	13.6-20.3	
12	40-50	4.5-5.6	
13	55-65	6.2-7.3	
16	10-20	1.1-2.3	
22	30-40	3.4-4.5	
26	30-50	3.4-5.6	
33	5-20	6-2.3	

03/02/98

ENGINE INTERNAL

Non-Clutch Models	
S2045	(UT20686)
Clutch Models	
S3045	(UT15138)



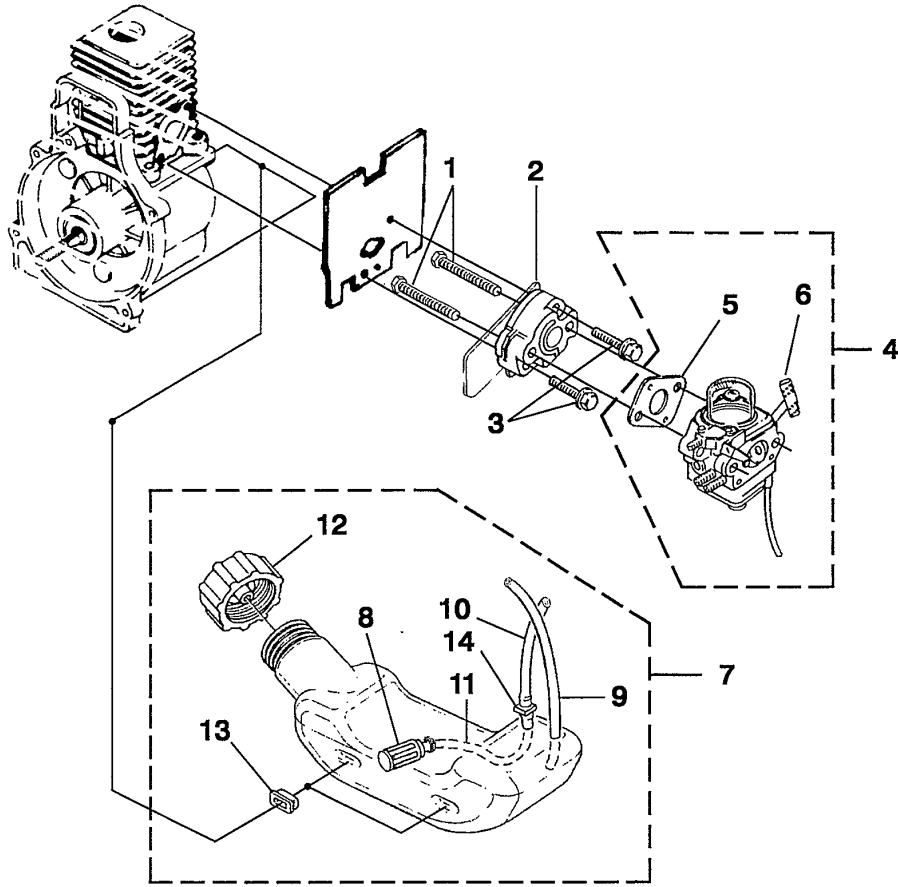
No.	Part No.	Description	Qty.
1a	•UP 09055	SHORT BLOCK (Non-Clutch)	1
	•UP 09056	SHORT BLOCK (Clutch)	1
NOTE: Both Short Blocks Include The Following:			
2	•UP 00098	PISTON & ROD ASSEMBLY	1
3	09272	RING-Piston	2
4	•UP 07145	CYLINDER ASSY.	1
5	04388 B	GASKET-Cylinder	1
6	07615	GASKET-Heat Dam	1
7	98766 A	GASKET-Carburetor	1
8	09343	GASKET-Muffler	1
9	69250	KEY-Woodruff	1
10	88084 1	SCREW-Sems (12-24 X 3/4")	3
11	•UP 00019	CRANKCASE COVER ASSEMBLY	1
12	08661	GASKET-Crankcase Cover *	1
13	88085 1	SCREW-Sems (10-24 X 1/2") *	4

Item No.	Torque Specs		Required Loctite
	In/Lbs	Nm	
10	55-65	6.2-7.3	Red 262
13	35-45	4.0-5.1	Red 262

* Also included in Short block assembly

Non-Clutch Models	
S2045	(UT20686)
Clutch Models	
S3045	(UT15138)

CARBURETOR - FUEL TANK



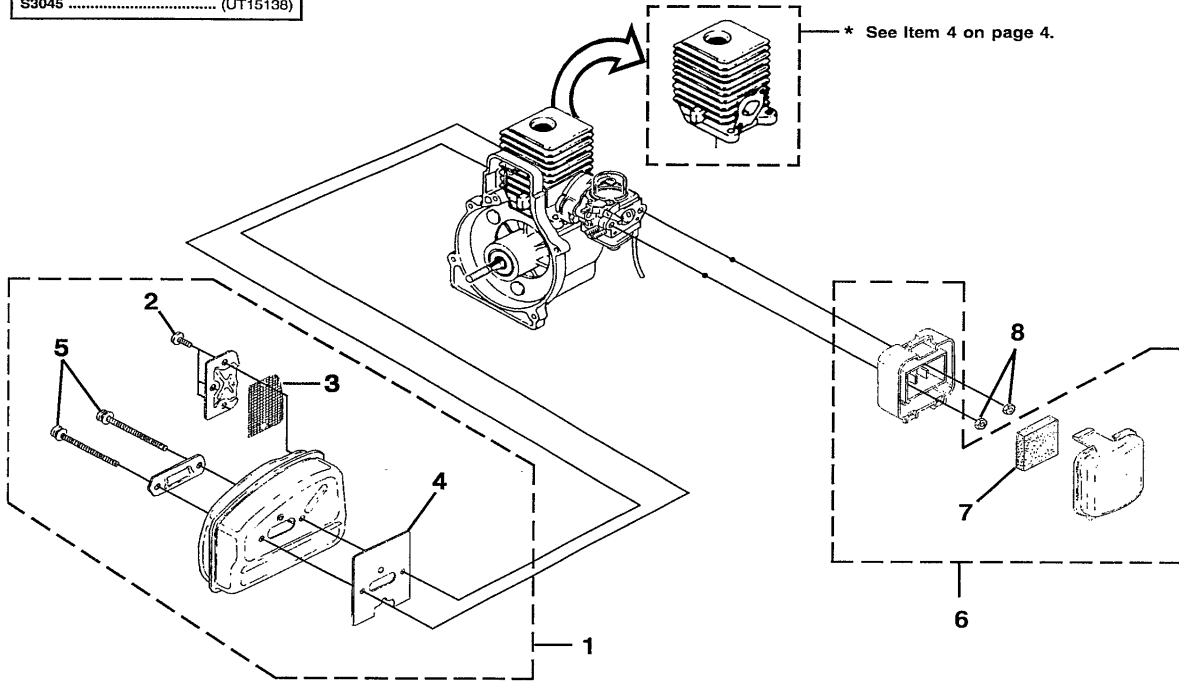
No.	Part No.	Description	Qty.
1	04474	SCREW-Machine (10-24 X 2 1/4")	2
2	08661	HEAT DAM	1
3	09322 1	SCREW-Sems (10-24 X 1") *	2
4	• UP00021	CARBURETOR KIT	1
5	98766 A	GASKET-Carburetor	1
6	PS 00236	LEVER-Choke (Zama)	1
7	• UP00020	FUEL TANK ASSY.	1
8	49422	FILTER-Fuel	1
9	01439 18	TUBING-Rubber	1
10	01439 10	TUBING-Rubber	1
11	94772 13	TUBING-Rubber	1
12	DA06486	FUEL CAP	1
13	98792	BUMPER-Rubber	3
14	02067	FITTING-Inline	1

Item No.	Torque Specs		Required Loctite
	In/Lbs	Nm	
3	35-45	4.0-5.1	Red 262

* Also included in Short block assembly

Non-Clutch Models	
S2045	(UT20686)
Clutch Models	
S3045	(UT15138)

MUFFLER - AIR CLEANER

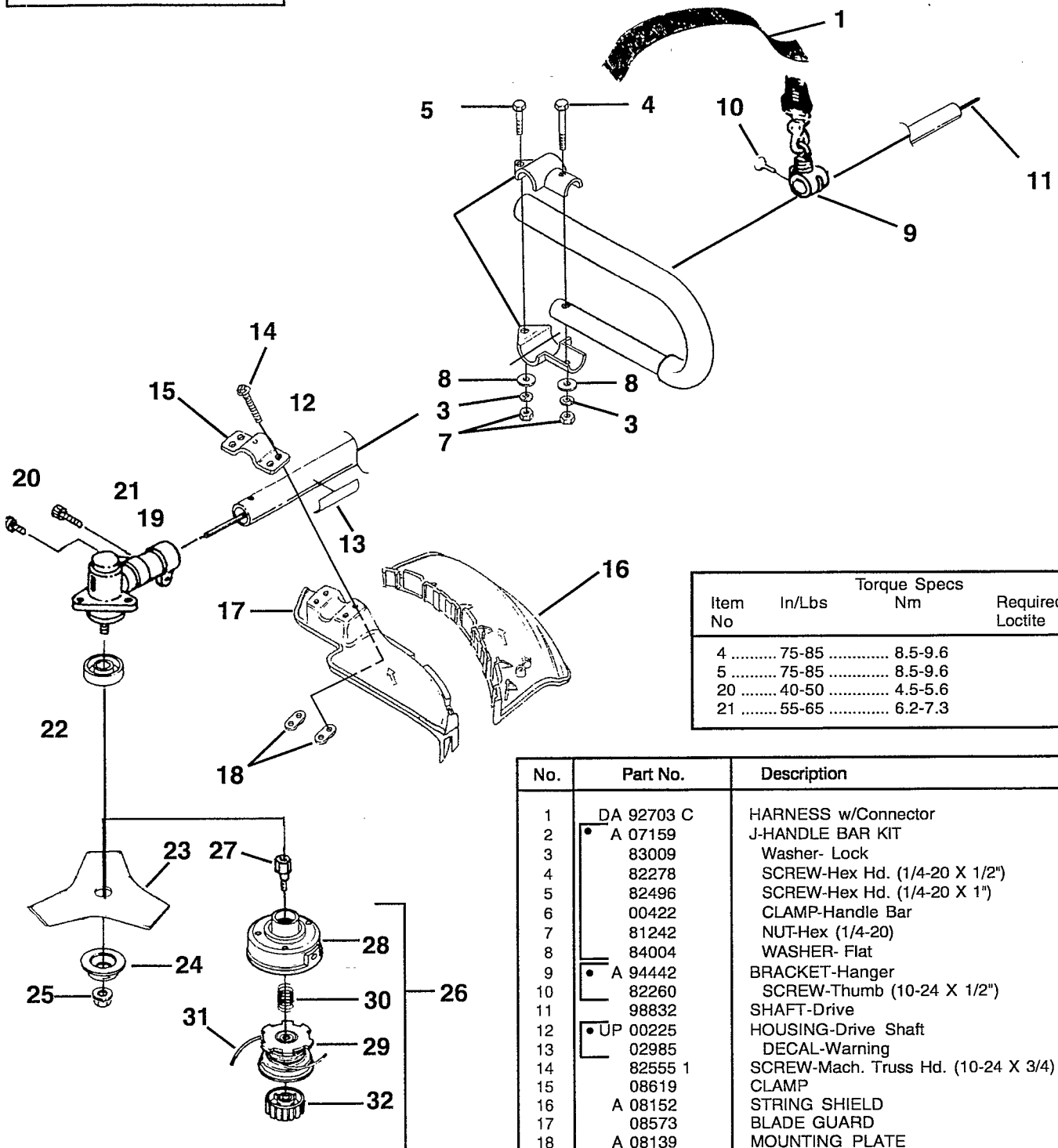


No.	Part No.	Description	Qty.
1	• A 07142 A	MUFFLER ASSY.	1
2	82600	SCREW, Taptite- (8-32 X 3/8")	3
3	06502	SCREEN-Spark	1
4	09343	GASKET-Muffler	1
5	82600	SCREW, Truss Hd. - (10-24 X 2.188)	2
6	•UP00022	AIR FILTER KIT	1
7	98760	FILTER-AIR	1
8	81208	NUT-Hex (10-24)	2

Item No.	Torque Specs		Required Loctite
	In/Lbs	Nm	
225-35 2.8-4.0	
550-60 5.6-6.8	
830-40 3.4-4.5	

Clutch Model
S3045 (UT15138)

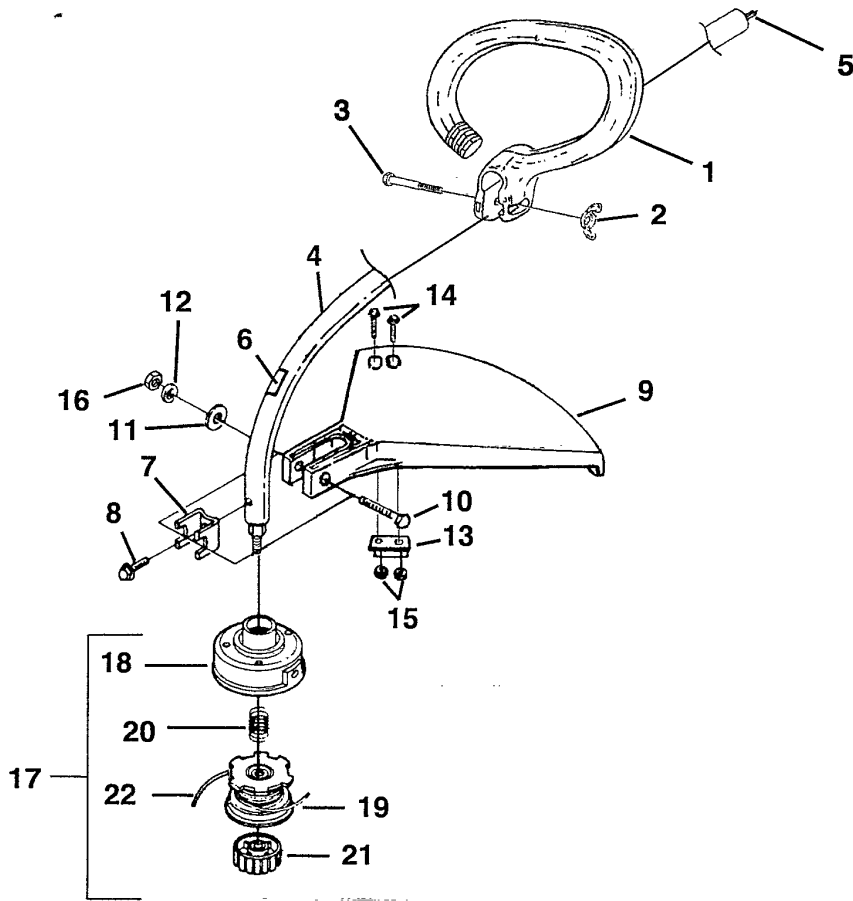
STRAIGHT SHAFT BOOM - HANDLE - THROTTLE - STRINGHEAD - GRASS DEFLECTOR



Item No	In/Lbs	Torque Specs	
		Nm	Required Loctite
4	75-85	8.5-9.6	
5	75-85	8.5-9.6	
20	40-50	4.5-5.6	
21	55-65	6.2-7.3	

No.	Part No.	Description	Qty
1	DA 92703 C	HARNESSE w/Connector	1
2	A 07159	J-HANDLE BAR KIT	1
3	83009	Washer- Lock	2
4	82278	SCREW-Hex Hd. (1/4-20 X 1/2")	1
5	82496	SCREW-Hex Hd. (1/4-20 X 1")	1
6	00422	CLAMP-Handle Bar	1
7	81242	NUT-Hex (1/4-20)	2
8	84004	WASHER- Flat	2
9	A 94442	BRACKET-Hanger	1
10	82260	SCREW-Thumb (10-24 X 1/2")	1
11	98832	SHAFT-Drive	1
12	UP 00225	HOUSING-Drive Shaft	1
13	02985	DECAL-Warning	1
14	82555 1	SCREW-Mach. Truss Hd. (10-24 X 3/4")	4
15	08619	CLAMP	1
16	A 08152	STRING SHIELD	1
17	08573	BLADE GUARD	1
18	A 08139	MOUNTING PLATE	1
19	A 03888	GEAR HEAD	1
20	88049	SCREW-Sems Hex Hd. (10-24 X 1/2")	1
21	82586	SCREW-Cap Socket Hd. (1/4-20 x 7/8")	1
22	04168 1A	WASHER-Flange	1
23	D 98717 C	BLADE-Tri-Arc	1
24	04409	WASHER-Flange	1
25	04277	NUT-Hex (L.H.)	1
26	DA 03174 A	STRINGHEAD COMPLETE - NO. 27	1
27	98551 41	CONNECTOR-Drive	1
28	A 98231 A	HOUSING & EYELET (Dual Line)	1
29	DA 02598 C	SPOOL & STRING (Dual Line)	1
30	B 06713	SPRING-Compression	1
31	D 06513	LINE-Replacement (.095" Dia.) (135')	1
32	A 97910 A	RETAINER-Spool (L.H.) (Red)	1

SHAFT - SPOOL & STRING - GRASS DEFLECTOR



No.	Part No.	Description	Qty.
1	• A 07136	HANDLE ASSY-Front	1
2	93992	NUT-Wing, Washer Faced (1/4-20)	1
3	80295	SCREW-Cap Hex Hd.	1
4	• UP 00224	DRIVESHAFT HOUSING ASSY.	1
5	98816	SHAFT-Flexible	1
6	02985	DECAL-Warning	1
7	07928	CLAMP	1
8	88077	SCREW-Sems Hex Hd. (#10-24 X 3/8")	1
9	• A 04704	DEFLECTOR & BLADE KIT (100 Deg.)	1
10	80295	SCREW-Cap Hex Hd. (10-24 X 2")	1
11	84006	WASHER-Flat (1/4")	1
12	83009	WASHER-Lock (1/4")	1
13	• A 03832	BLADE-Cut-Off	1
14	82531	SCREW-Mech. Hex Hd. (10-24 X 7/8")	2
15	81208	NUT-Hex (10-24)	2
16	81242	NUT-Hex	1
17	• DA 03001 A	STRINGHEAD-Complete	1
18	A 98231 A	HOUSING & EYELET (Dual Line)	1
19	• DA 98912 E	SPOOL & STRING (.080" Line)	1
20	B 06713	SPRING-Compression	1
21	DA 98866 A	RETAINER-Spool (R.H. Thread, Black)	1
22	D 06510	STRING - (.080) (195 ft.)	1

Item No.	Torque Specs		Required Loctite
	In/Lbs	Nm	
2	5-25	.6-2.8	
8	15-25	1.7-2.8	
14	5-25	.6-2.8	
15	30-40	3.4-4.5	